

# 64-40 Push-to-Close Actuator

Pull-to-open · Paddle handle actuator · Multi-point · Large

### Features

- Flush mounting installation
- Multiple mounting styles
- Locking and non-locking options

### Accessories

- Flat key, keyed alike CH751 (2 keys per ring): PK-10-01
- Overmolded key, keyed alike CH751 (2 keys per ring): PK-10-01-05

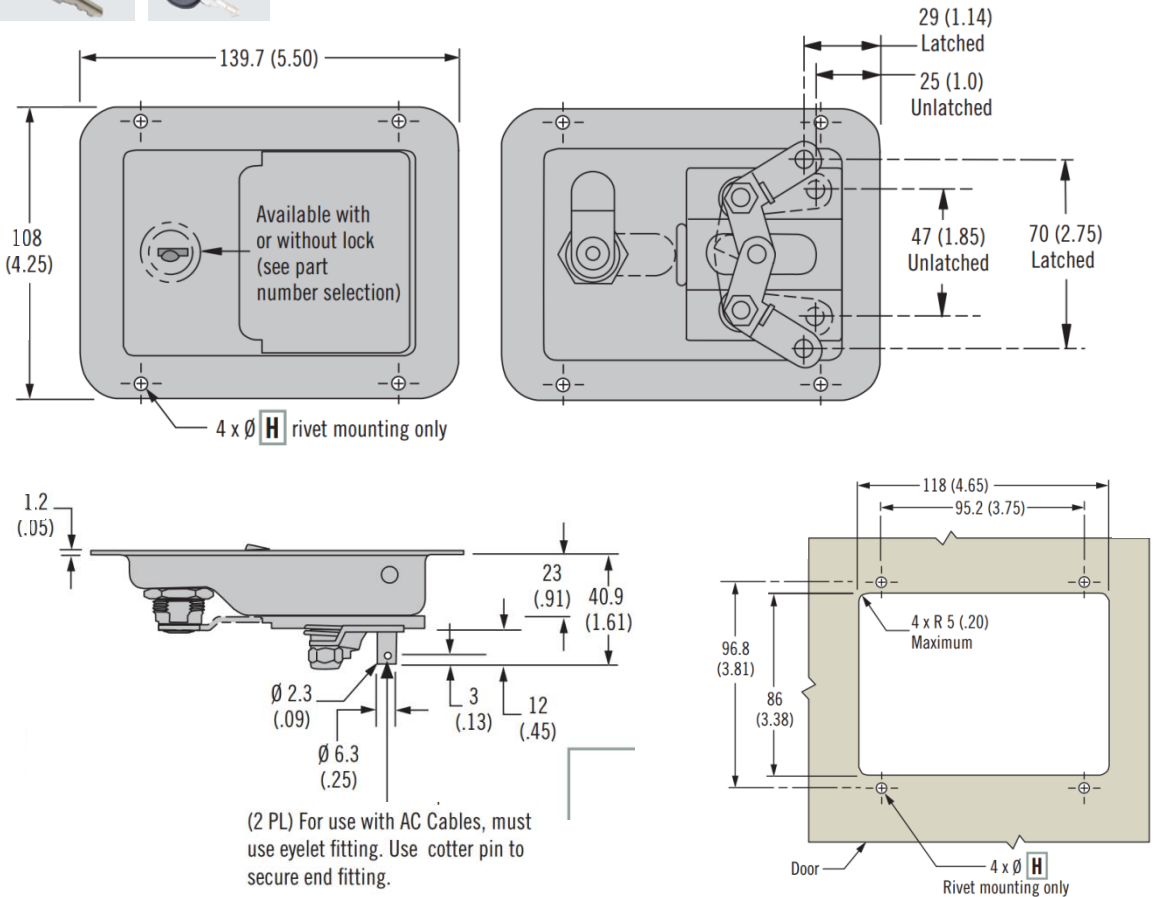


### Material

- Stainless steel, polished, steel, zinc plated or black powder coated

### Notes

- AC Cable end fitting must be eyelet for this actuator



### H Housing

- 0 Weld
- 1 Rivet through hole 4.9 (.19)
- 2 Rivet through hole 5.2 (.20)

### M Material

- 10 Steel, zinc plated
- 20 Stainless steel, polished
- 50 Steel, black powder coated

64 - 40 - 4 L H - M

### L Lock style

- 0 Non-locking
- 1 Key-locking keyed alike CH751 (2 Flat keys supplied)